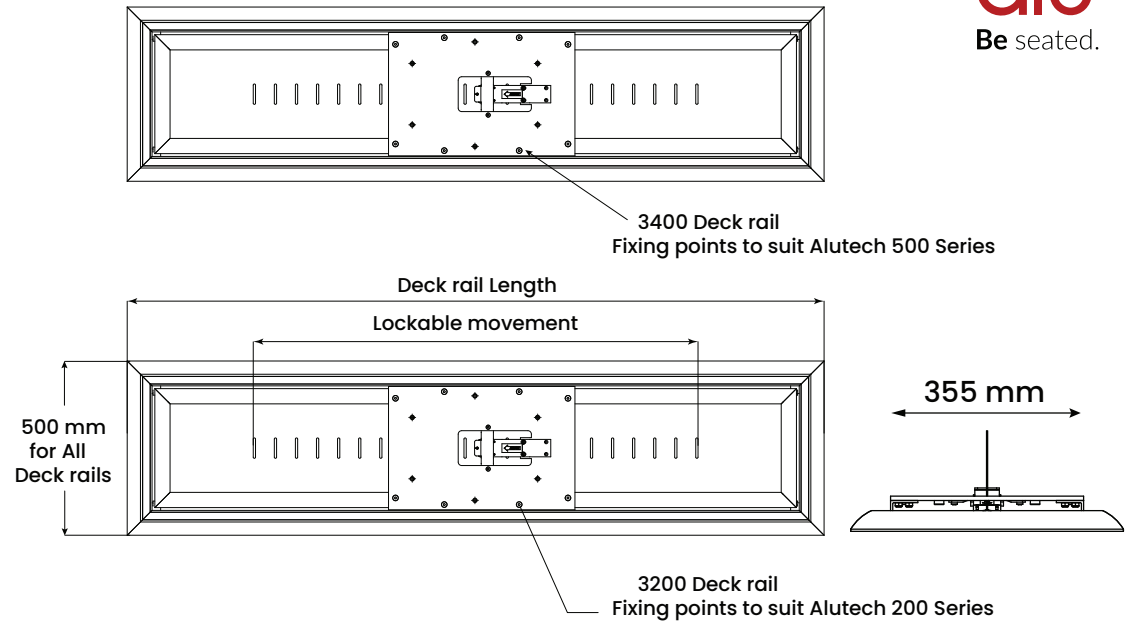
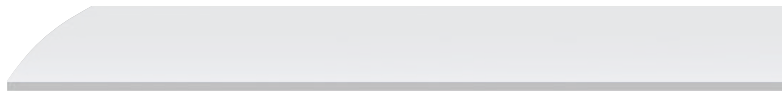


# ALUTECH 3200/3400 SURFACE MOUNT

## MANUALLY OPERATED DECK RAILS



## DESIGN AND FEATURES

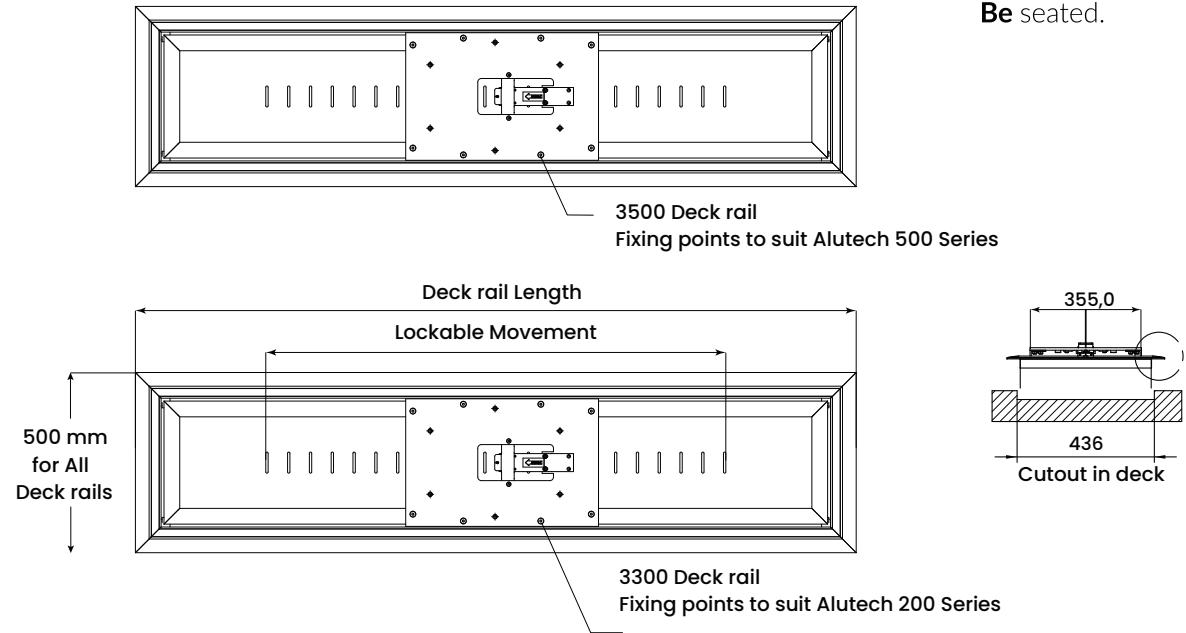
- Simple to install
- Low weight
- Alutech 3200 and 3400 utilises a low friction stainless steel ball-bearing rail system that enables easy movement
- Alutech 3200 and 3400 braking system is controlled from the chair and easily locks the wagon in place

Available in 4 different lengths, or made-to-fit, this deck rail series is surface mounted and designed for use with any of the Alutech 200, 300, 400, 500 or 600 chair types. Available in required lengths.

Deck rail for 200 to 600 Chair Series	Deck rail Length	Maximum Deck rail Height (With / Without wagon)	Maximum Movement of Wagon	Deck rail Weight	HSC Code
Alutech 3200 / 3400	1500 mm	65 mm / 38 mm	815 mm	27 kg	12 g
Alutech 3205 / 3405	2000 mm	65 mm / 38 mm	1315 mm	33.5 kg	12 g
Alutech 3210 / 3410	2500 mm	65 mm / 38 mm	1815 mm	40 kg	12 g
Alutech 3215 / 3415	3000 mm	65 mm / 38 mm	2315 mm	47 kg	12 g
Alutech 32XX / 34XX	on request		TBA	TBA	12 g

# ALUTECH 3300/3500 FLUSH MOUNT

## MANUALLY OPERATED DECK RAILS



## DESIGN AND FEATURES

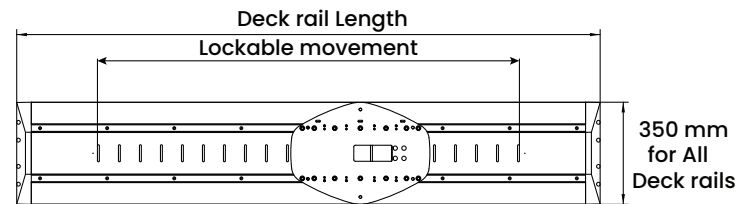
- Simple to install
- Low weight
- Alutech 3200 and 3400 utilises a low friction stainless steel ball-bearing rail system that enables easy movement.
- Alutech 3200 and 3400 braking system is controlled from the chair and easily locks the wagon in place

Available in 4 different lengths, or made-to-fit, this deck rail series is surface mounted and designed for use with any of the Alutech 200, 300, 400, 500 or 600 chair types. Available in required lengths.

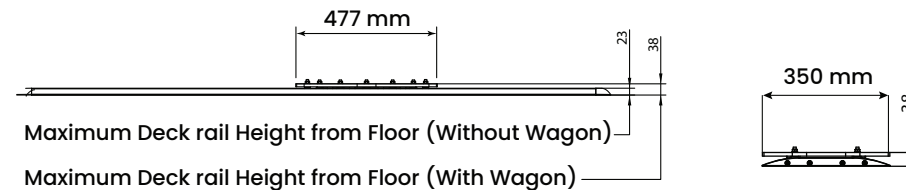
Deck rail for 200 to 600	Deck rail Length	Maximum Deck rail Height	Maximum Movement of Wagon	Deck rail Weight	HSC Code
Alutech 3300 / 3500	1500 mm	35 mm / 8 mm	815 mm	27 kg	12 g
Alutech 3305 / 3505	2000 mm	35 mm / 8 mm	1315 mm	33.5 kg	12 g
Alutech 3310 / 3510	2500 mm	35 mm / 8 mm	1815 mm	40 kg	12 g
Alutech 3315 / 3515	3000 mm	35 mm / 8 mm	2315 mm	47 kg	12 g
Alutech 33xx / 35xx	on request	35 mm / 8 mm	TBA	TBA	12 g

# ALUTECH 4000 SURFACE MOUNT

## MANUALLY OPERATED DECK RAILS



Please Note: Fastening holes are indicative only and correct positions will be supplied on AC drawings



## DESIGN AND FEATURES

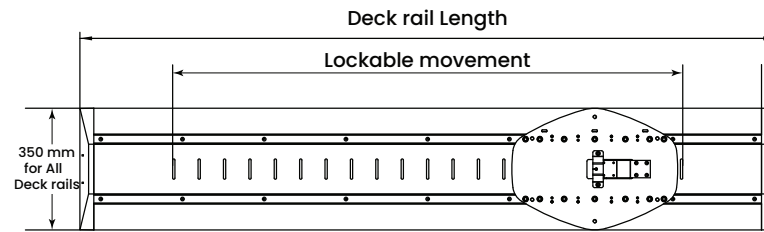
- Simple to install
- Low weight
- Alutech 4000 utilises a low friction stainless steel ball-bearing rail system that enables easy movement.
- Alutech 4000 braking system is controlled from the chair and easily locks the wagon in place

Available in 4 different lengths as standard, or made-to-fit, these deck rail series are surface mounted and designed for use with any of the Alutech 300, 400, 500 or 600 chair types.

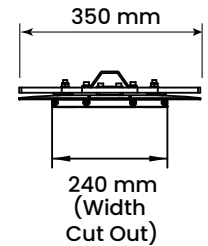
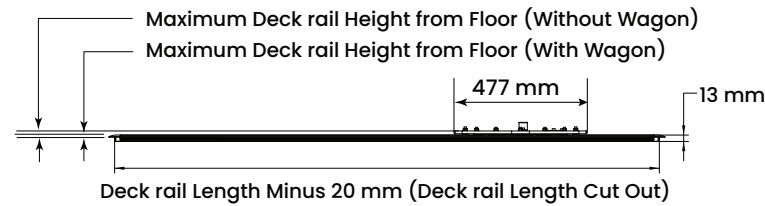
Deck rail for 300 to 600 Chair Series	Deck rail Length	Maximum Deck rail Height (With / Without wagon)	Maximum Movement of Wagon	Deck rail Weight
Alutech 4000	1000 mm	38 mm / 23 mm	460 mm	18 kg
Alutech 4005	1500 mm	38 mm / 23 mm	960 mm	21.5 kg
Alutech 4010	2000 mm	38 mm / 23 mm	1460 mm	25 kg
Alutech 4015	2500 mm	38 mm / 23 mm	1960 mm	28.5 kg
Alutech 4020	3000 mm	38 mm / 23 mm	2460 mm	32 g

# ALUTECH 4100 FLUSH MOUNT

## MANUALLY OPERATED DECK RAILS



Please Note: Fastening holes are indicative only and correct positions will be supplied on AC drawings



## DESIGN AND FEATURES

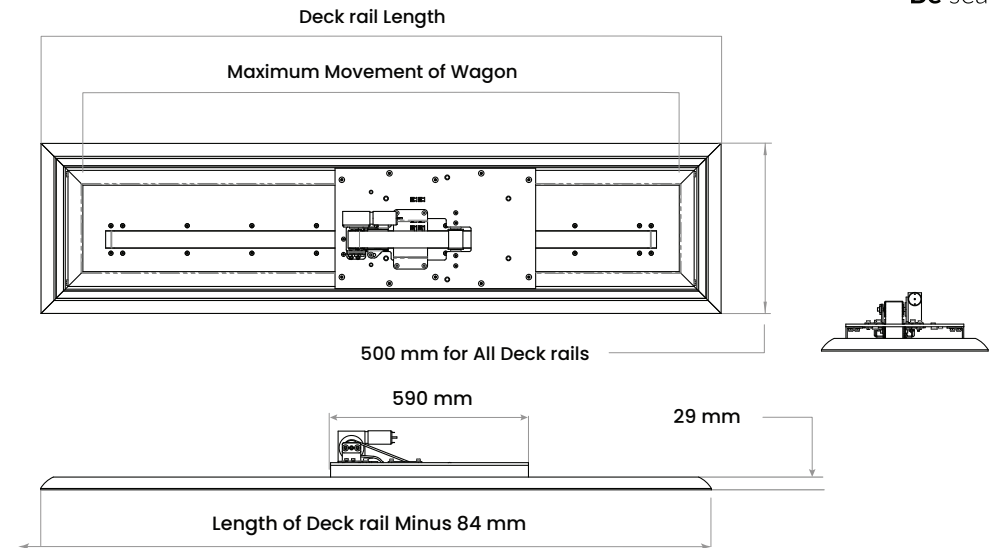
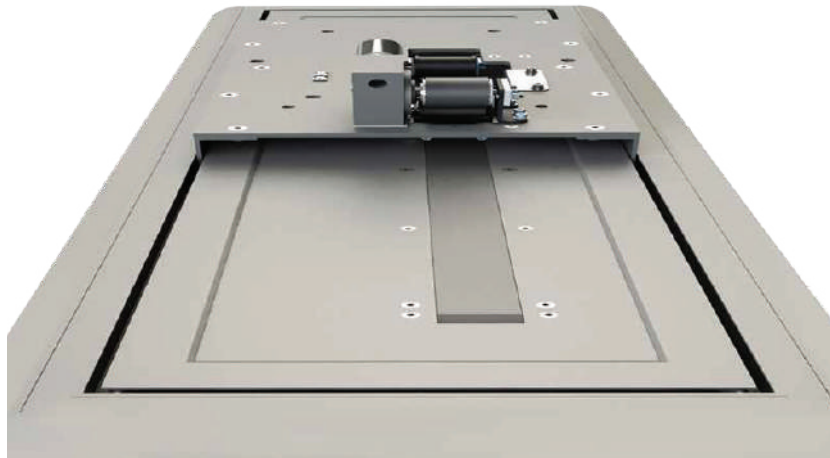
- Simple to install
- Low weight
- Alutech 4100 utilises a low friction stainless steel ball-bearing rail system that enables easy movement.
- Alutech 4100 braking system is controlled from the chair and easily locks the wagon in place.

Available in 4 different lengths as standard, or made-to-fit, these deck rail series are flush mounted and designed for use with any of the Alutech 300, 400, 500 or 600 chair types.

Deck rail for 300 to 600 Chair Series	Deck rail Length	Maximum Deck rail Height (With / Without wagon)	Maximum Movement of Wagon	Deck rail Weight
Alutech 4100	1000 mm	23 mm / 8 mm	460 mm	18 kg
Alutech 4105	1500 mm	23 mm / 8 mm	960 mm	21.5 kg
Alutech 4110	2000 mm	23 mm / 8 mm	1460 mm	25 kg
Alutech 4115	2500 mm	23 mm / 8 mm	1960 mm	28.5 kg
Alutech 4120	3000 mm	23 mm / 8 mm	2460 mm	32 kg

# ALUTECH 3900 SURFACE MOUNT

## ELECTRIC OPERATED DECK RAILS



## DESIGN AND FEATURES

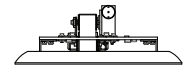
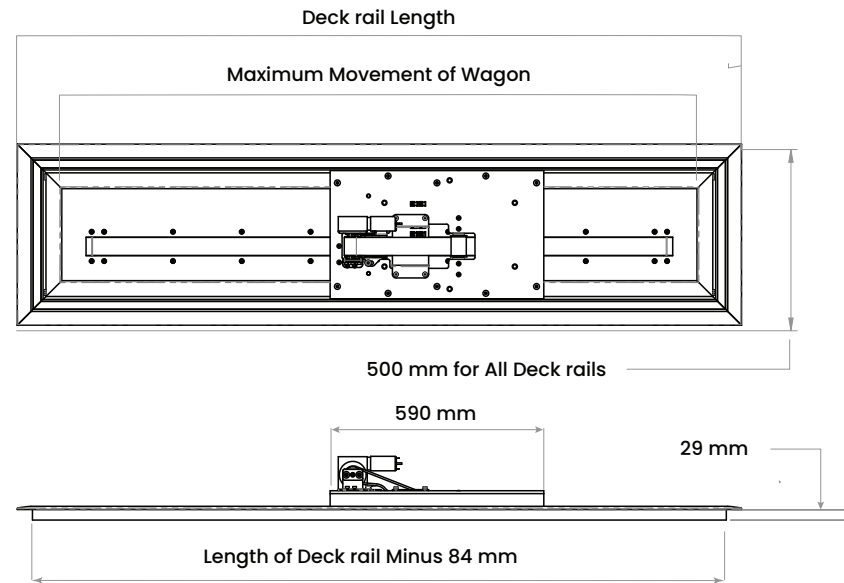
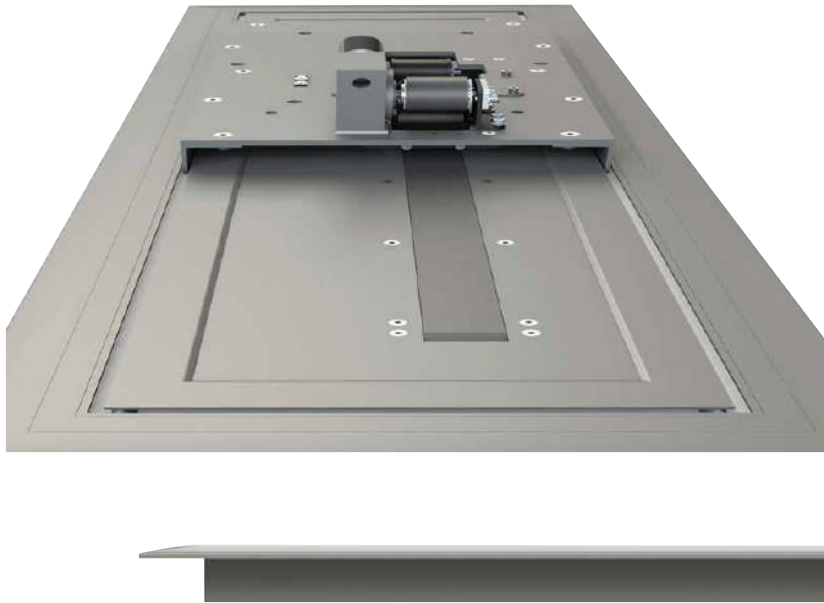
- Surface mounted
- Simple to install
- Low weight
- Note that this deck rail does not have arrangement for cable routing!
- **24V / 20 Amp**

Available in 4 different lengths as standard, or made-to-fit, these deck rail series are surface mounted and designed for use with any of the Alutech 300, 400, 500 or 600 chair types.

Deck rail for 300 to 600 Chair Series	Deck rail Length	Maximum Deck rail Height (With / Without wagon)	Maximum Movement of Wagon	Electrical Operated Voltage 24 V / 20 AMP (minimum)	Deck rail Weight	HSC Code
Alutech 3900	1500 mm	65 mm / 38 mm	767 mm	Yes	37 kg	12 g
Alutech 3905	2000 mm	65 mm / 38 mm	1267 mm	Yes	43 kg	12 g
Alutech 3910	2500 mm	65 mm / 38 mm	1767 mm	Yes	50 kg	12 g
Alutech 3915	3000 mm	65 mm / 38 mm	2267 mm	Yes	57 kg	12 g

# ALUTECH 3950 FLUSH MOUNT

## ELECTRIC OPERATED DECK RAILS



## DESIGN AND FEATURES

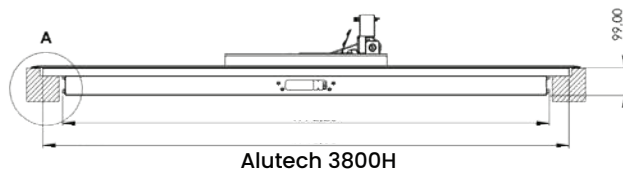
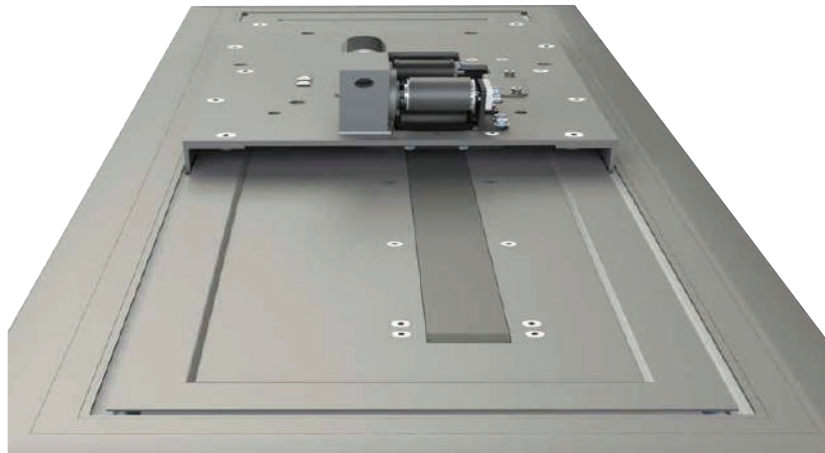
- Flush mounted
- Simple to install
- Low weight
- Note that this deck rail does not have arrangement for cable routing!
- **24V / 20 Amp**

Available in 4 different lengths as standard, or made-to-fit, these deck rail series are flush mounted and designed for use with any of the Alutech 300, 400, 500 or 600 chair types

Deck rail for 300 to 600 Chair Series	Deck rail Length	Maximum Deck rail Height (With / Without wagon)	Maximum Movement of Wagon	Electrical Operated Voltage 24 V / 20 AMP (minimum)	Deck rail Weight	HSC Code
Alutech 3950	1500 mm	35 mm / 8 mm	767 mm	Yes	37 kg	12 g
Alutech 3955	2000 mm	35 mm / 8 mm	1267 mm	Yes	43.5 kg	12 g
Alutech 3960	2500 mm	35 mm / 8 mm	1767 mm	Yes	50 kg	12 g
Alutech 3965	3000 mm	35 mm / 8 mm	2267 mm	Yes	57 kg	12 g

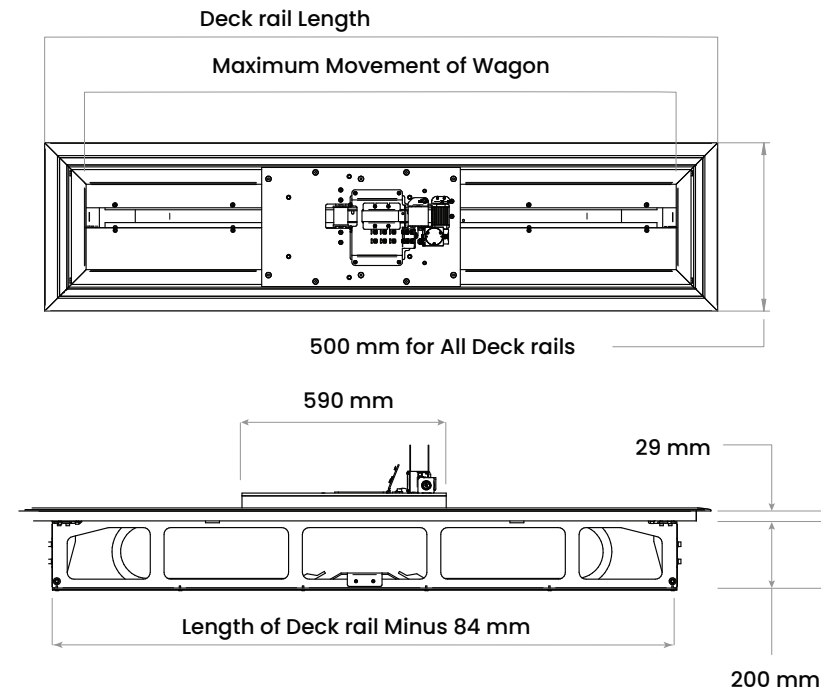
# ALUTECH 3800/3800-H FLUSH MOUNT

## ELECTRIC OPERATED DECK RAILS



## DESIGN AND FEATURES

- Electrically driven movement
- push button control
- Cable routing from the chair to flexible cable tray in the deck rail for optimal protection of cables
- Low friction stainless steel rail system for easy and reliable movement of the chair and operator
- Chair stops automatically if it encounters an obstacle
- **24V / 20 Amp**



This electrical operated deck rail is flush mounted and suitable in connection with Alutech 300, 400, 500, 600 and OPL series.

Deck rail	Deck rail Length	Maximum Deck rail Height (With / Without wagon)	Maximum Movement of Wagon	Electric Operated Voltage 24 V / 20 AMP (minimum)	Deck rail Weight
Alutech 3800	1500 mm	65 mm / 38 mm	767 mm	Yes	40 kg
Alutech 3805	2000 mm	65 mm / 38 mm	1267 mm	Yes	48 kg
Alutech 3810	2500 mm	65 mm / 38 mm	1767 mm	Yes	57 kg
Alutech 3815	3000 mm	65 mm / 38 mm	2267 mm	Yes	65 kg